

**TECNOPEA**

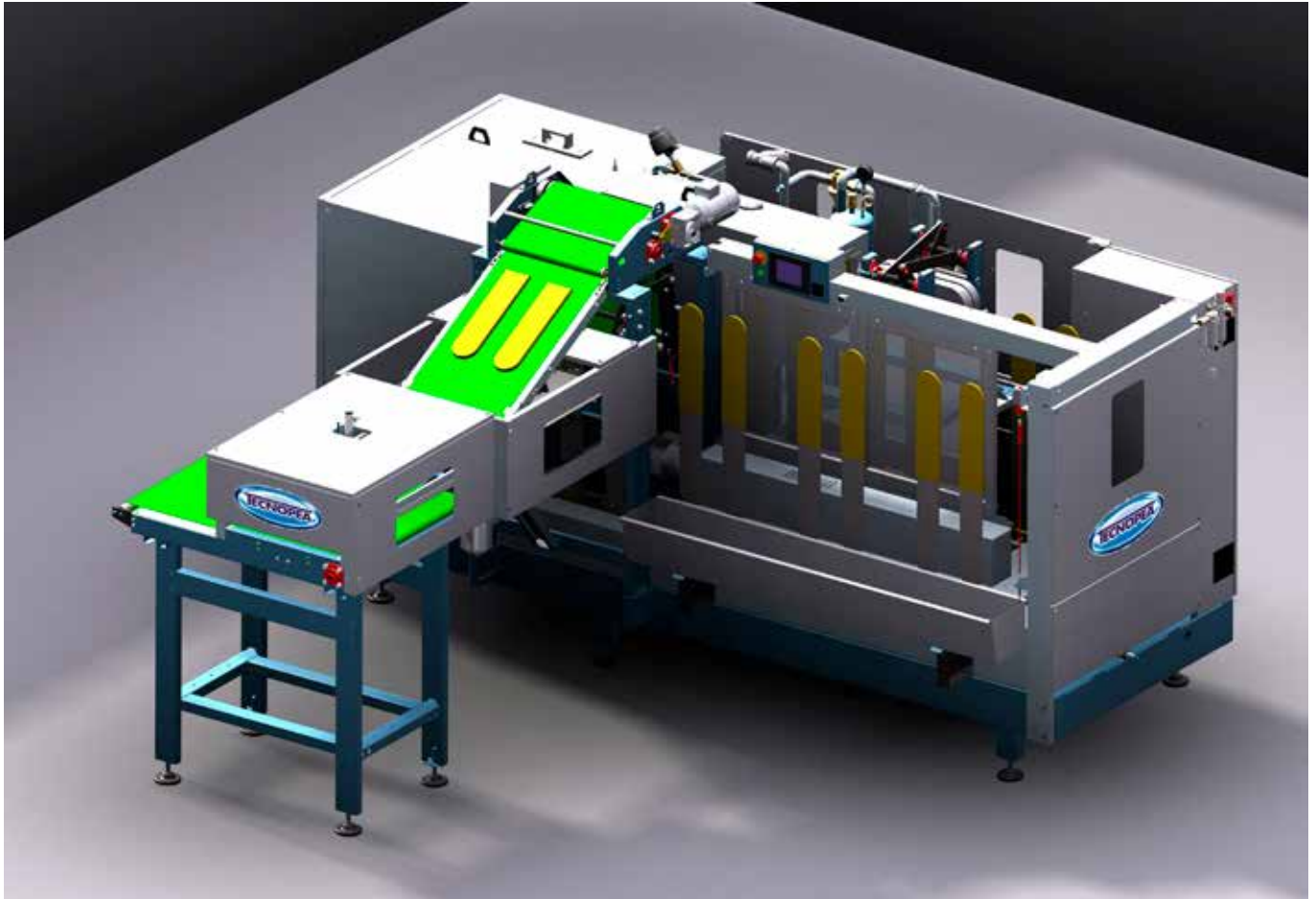
# WOMAN STOCKINGS BOARDING

BOARDING MACHINE FOR SOCKS WITH STEAM CHAMBER  
AND HOT AIR

GHIBLI SPORT G

ENG





## WOMAN STOCKINGS BOARDING GHIBLI SPORT G

Boarding machine for men, women, children socks and knee-highs with very low energy consumption and high productivity. Direct loading of products on boarding forms by 2 operators allows the processing of a very wide range of products and a very high productivity. Ghibli Sport has a stripping device operating with belts and a programmable stacking system (optional) that allows the simultaneous stripping of 2 socks. 24 boarding forms with a quick release system to allow a very easy forms change. Machine operates 2 forms per cycle with a longer dwell time and a considerable quality improvement of products.

# WOMAN STOCKINGS BOARDING

## GHIBLI SPORT G

Specifications	Values
Dimensions	3.510 x 3.617 x 1.917 (h)
Air pressure	6 bar
Air consumption	8 m <sup>3</sup> /hr
Installed power	3,8 kW
Absorbed power	1,9 kW
Min. Steam line pressure	6 bar
0 max. Operating pressure	3 bar
Steam cons. Range*	30 - 60 kg/hr
Minimum cycle time	3 Sec./1 pair
Max. Production	1.200 pair/hr - 100 Dz/hr

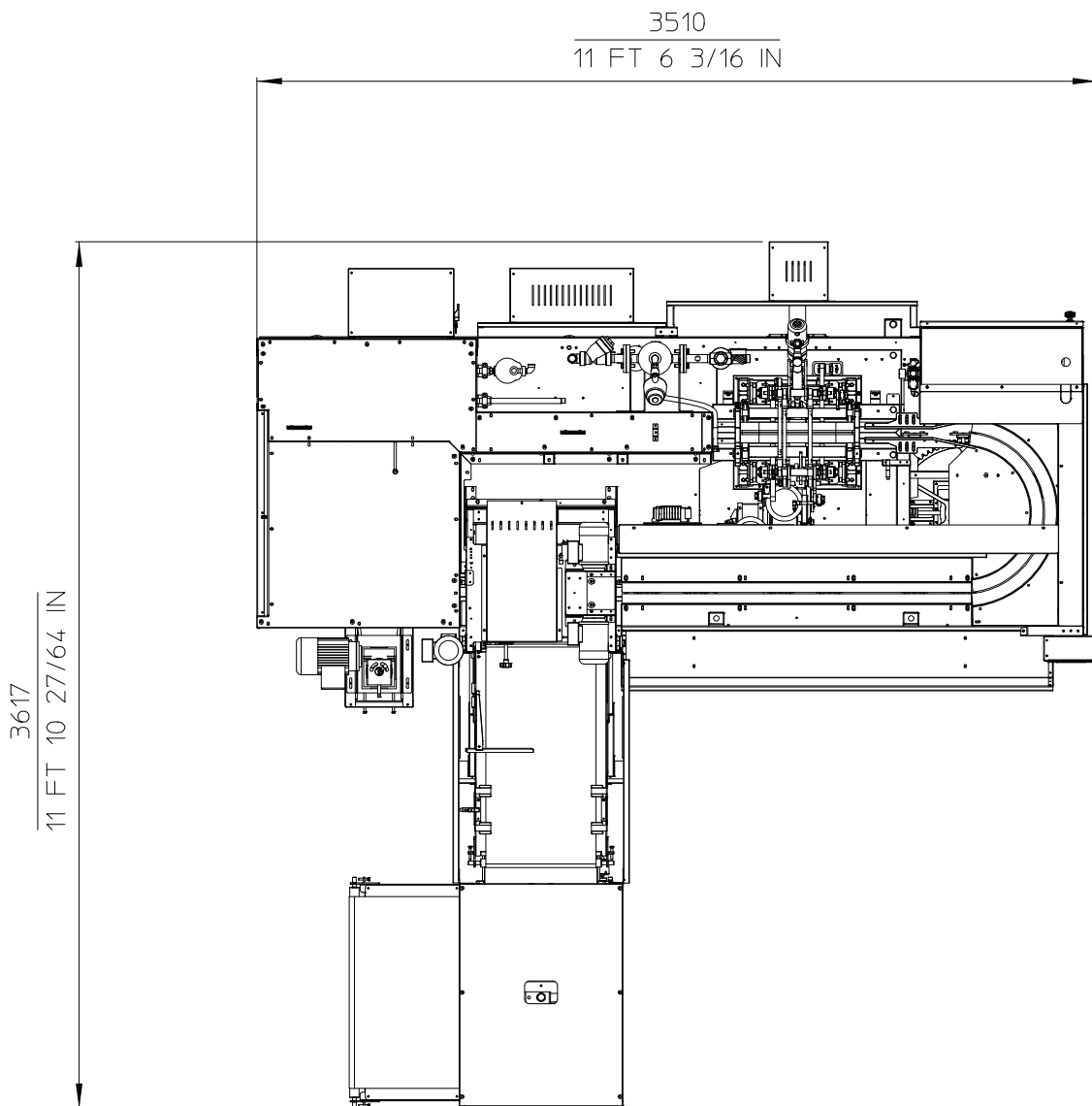
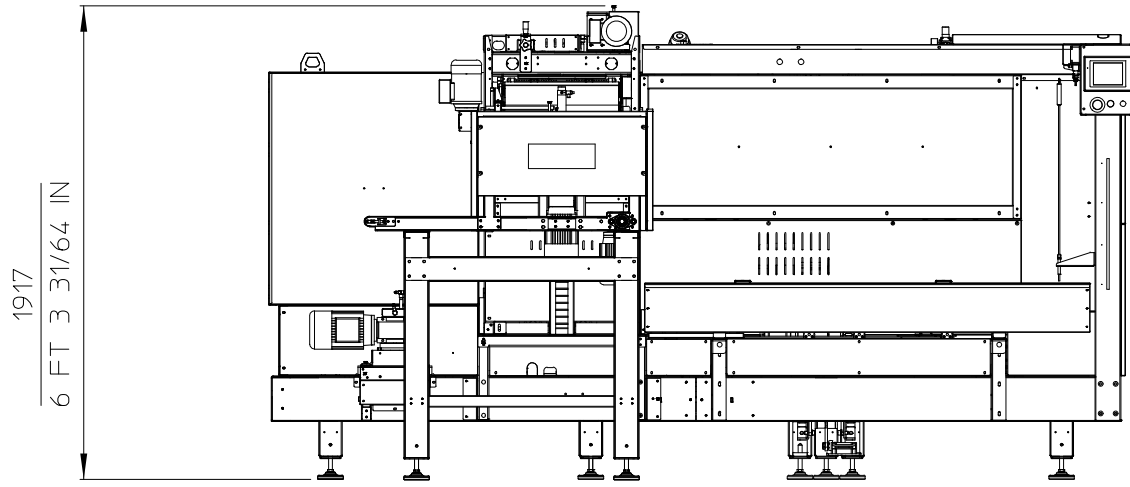
\* Steam consumption is measured over a period of time and its absolute values are subject to significant variations; We therefore recommend using a generator with a capacity of about 90 Kg/hr. The steam supply pipeline must be equipped with water traps and an adjustable pressure reducing valve to be fitted upstream of the machine.

Features
Touch-screen display for the machine setting with the possibility to store working recipes
Electronic self-diagnosis with errors or malfunctions visual messages
Pneumatic device for a quick forms replacement
Steam chamber with quick locking/unlocking system to allow a optimum treatment at the maximum operating speed
Drying tunnel with hot air circulation heated by steam radiators;
Belts stripping device

Opzional
Programmable stacking system

# WOMAN STOCKINGS BOARDING

## GHIBLI SPORT G



# TECNOPEA



TECNOPEA S.R.L.

Via Don Eridano Torri, 2

25027 Quinzano d'Oglio, Brescia - Italy

Tel.: +39 030 992 3780 - Fax: +39 030 9923996

info@tecnopea.com - www.tecnopea.com